



HAL
open science

Assessment of actuation performance regarding miniature mechanisms triggered by piezoelectric arrangements-A review

Adel Razek

► **To cite this version:**

Adel Razek. Assessment of actuation performance regarding miniature mechanisms triggered by piezoelectric arrangements-A review. Intelligent Control and System Engineering , 2023, 1 (1). hal-04311384

HAL Id: hal-04311384

<https://cnrs.hal.science/hal-04311384>

Submitted on 29 Nov 2023

HAL is a multi-disciplinary open access archive for the deposit and dissemination of scientific research documents, whether they are published or not. The documents may come from teaching and research institutions in France or abroad, or from public or private research centers.

L'archive ouverte pluridisciplinaire **HAL**, est destinée au dépôt et à la diffusion de documents scientifiques de niveau recherche, publiés ou non, émanant des établissements d'enseignement et de recherche français ou étrangers, des laboratoires publics ou privés.

Assessment of actuation performance regarding miniature mechanisms triggered by piezoelectric arrangements—A review

Adel Razek

Group of Electrical Engineering—Paris (GeePs), CNRS, University of Paris-Saclay and Sorbonne University, F91190 Gif sur Yvette, France; adel.razek@centralesupelec.fr

ARTICLE INFO

Received: 10 August 2023
Accepted: 22 August 2023
Available online: 11 October 2023

doi: 10.59400/icse.v1i1.188

Copyright © 2023 Author(s).

Intelligent Control and System Engineering is published by Academic Publishing Pte. Ltd. This article is licensed under the Creative Commons Attribution License (CC BY 4.0).
<http://creativecommons.org/licenses/by/4.0/>

ABSTRACT: This article aims to evaluate and analyze the role of piezoelectric actuation in miniature robots in general and converging towards systems using traveling waves on beams and plates of thin structures. In other words, examining the later in the general context of the first. The useful values of interest concerned by this subject are diverse: applications needing high specific power particularly suitable for miniaturized robots, vibrations supervision, damage and fatigue revealing, medical and other micro pumps applications, different controls in difficult access areas, harvesting of energy, etc. The characteristics and behaviors of actuation, which is accomplished by resonant and non-resonant piezoelectric systems, are first reviewed and examined. The amplification of the actuation is then highlighted. Next, non-resonant piezoelectric actuators for stepping functions are discussed. Then, the main principles of piezoelectric resonant ultrasonic motors are summarized allowing the illustration of the operation of traveling wave piezoelectric resonant beam robots. Next, traveling waves on thin structures are examined, reviewed and conferred. This involves, driving of piezoelectric patches in miniature robots, applications of thin structure embracing piezoelectric materials, and finally thin structure piezoelectric miniature beams and plate robots. Following the last sections, a discussion of the operations of locomotion and positioning of the piezoelectric actuators is presented.

KEYWORDS: piezoelectric actuation; ultrasonic motors; traveling waves; thin structures; miniature robots; beams and plate structures; locomotion and positioning

1. Introduction

Locomotion and positioning are often employed in advanced energy devices, e.g., optimal appliances, robot junctions, spatial arrangements, precision machineries, etc. This can be achieved by using actuators reflecting high displacement resolution and positioning precision as well as swift response, high rigidity and actuation strength, uncomplicated configuration and little volume. Piezoelectric actuators are perfect candidates for such attributes^[1-8]. They can be integrated for locomotion or positioning in energy devices or constituting autonomous miniature robots. These actuators perform following the inverse piezoelectric effect. Indeed, a piezoelectric material engenders electric potential under the effect of applied compression, which is the direct effect, while an applied electric potential on the material produces mechanical deformation that is the in-verse effect. The direct effect is operated in pressure sensors and energy transducers while the inverse one is behaved in

actuators. Piezoelectric actuators can be used straight or as amplified actuators. The amplified case reflects two energy conversions electric-mechanic and mechanic-mechanic typifying the movement produced by actuator. The first conversion exhibits the inverse effect of piezoelectric phenomenon that produces a small displacement while the second concerns a particular locomotion, which magnifies such a movement. The concerned locomotion sources are generally inspired after natural locomotion and could be classified by their movement across a fluid or at a solid surface^[9].

Referring to piezoelectric actuators vibration condition, they can be categorized as resonant^[10-12] and non-resonant^[13-17]. In the resonant case, also named ultrasonic motors of rotating or linear structure, high frequency resonant vibrations of a fixed part (stator) will derive a moving part (mobile)^[18-21]. They reflect high speed and lengthy whiplash but limited positioning precision. Furthermore, structures that are more recent have been developed in this resonant category, based on travelling waves on finite beams and plates robots^[22-26]. The non-resonant case comprises four types of actuators: stack, inchworm stepper, seal and inertial steppers. The stack (multilayer) actuators^[27,28] have linear axial movements created by inverse effect of DC voltage, reflecting high displacement resolution but poor strokes. The inchworm ones^[29,30] use several stacks to increase their strokes, a part of stacks insure adhesive contact of the fixed driving part and the mobile part, and the others accomplish the propelling stepping. The inertial and seal steppers^[31-36] drive the mobile with slow extending and fast shortening displacements of stacks, reflecting small yield force and rearward motion inconvenient.

Many works have been published on specific subjects involved in this topic. The proposed contribution aims to evaluate and amalgamate a synthesis of the problems dealt with in the field, focusing on efficient actuation of miniature piezoelectric robots.

The objective of this contribution is the evaluation of piezoelectric systems using traveling waves on beams and plates of thin structures in the context of actuation performance of miniature piezoelectric robots in general. This involves the analysis and discussion of the various features and characteristics of actuation methods. In addition, the information given will be supported in the article and can be supplemented from the important but not exhaustive literature provided in the list of references.

In the present assessment, after the introduction of characteristics and behaviors of piezoelectric actuation in general, different related features will be exposed, reviewed and discussed. First, the amplification of actuation will be highlighted. Then the non-resonant piezoelectric actuators regarding stepping performs will be conferred. The main principals of piezoelectric resonant ultrasonic motors will be then summarized. Relating to these principals the traveling wave piezoelectric resonant beam robots will be approached involving the excitation modes in finite beam structures through examples of traveling wave piezoelectric resonant, ultrasonic motor and beam robots. Next, the traveling waves on thin structures will be examined, reviewed and discussed. This involves actuation and driving of piezoelectric patches in miniature robots, applications of thin structures containing piezoelectric materials and thin structures piezoelectric miniature beam as well as plate robots. Subsequent to the last sections, a summarized review of locomotion and positioning operations of piezoelectric actuations is given. The last section discusses different details relative to the questions treated in earlier sections. Conclusions are then summarizing the contributions of the paper and the questions of interest raised by this subject.

2. Amplified actuation

Thanks to the inverse piezoelectric effect, these materials allow actuation. However, the distortion of one layer of piezoelectric is little to be operated straight in the majority of applications^[37,38]. Greater deformations can be attained by stacking up several layers of ceramic piezoelectric with synchronized orientations of deformation and electrodes parallel associated^[39,40], thus we have a piezo-stack actuator that permit a more important combined movement. Note that the importance of the displacement depends of the number of layers of the piezo-stack, which leads to oversized actuator for attaining a reasonable movement. However, even with this multiplied displacement, superior movement scale is habitually necessary in particular for robotic usages. Subsequently, attaining higher output motions with acceptable size actuators can be obtained by mechanical piloting tools associated with piezo-stacks named amplified actuators. Typically, an ordinary single cut fabricated elastic material forming a piloting tool, a flexure hinge, which produces movements by self-deformation under force application. Such structures have the advantages to be small with soft repetitive displacements, little inertia and no friction. Accordingly, they are often employed under different structures for conducting movements generated by piezo-stack actuators^[41-46], thus offering movement guiding and motion amplification needed for robotic applications.

3. Non-resonant piezoelectric steppers

The amplifying appliance considerably augments the operational extent of piezoelectric materials. However, the resulted displacements are yet not enough for far-reaching procedure requests. Therefore, employment of stepper actuators seems more normal. Steppers whose locomotion is based on friction are categorized into inchworm, seal and inertial actuators.

3.1. Inchworm actuator

The inchworm actuator mimics the swarming attribute of the insect named likewise. Mimicking the insect, this actuator commonly encloses a feeding component and two fastening components all contain piezoelectric material, which resemble respectively to the bendable body, front and rear feet of the insect^[29,30]. Note that the functioning of the two fastening components of the actuator are both sporadic.

3.2. Seal actuator

The seal actuator is also a sea seal imitating. If one of the two sporadic fastening components used in the last section is substituted by an incessant fastening one (corresponding to rear feet), the inchworm actuator is converted into a seal one^[34-36].

3.3. Inertial actuator

If the sporadic fastening component used in the last section is substituted by an inertial piece, the seal actuator converts to an inertial one, which is composed of a feeding component, an incessant fastening one and an inertial piece^[31-33].

4. Piezoelectric resonant ultrasonic motors

The piezoelectric resonant ultrasonic motor (PRUM) is composed of two parts, a stator and a mobile (slider). The stator is excited by a wave producing an elliptical movement, which is transformed into movement of the mobile by friction with the stator. The nature of the stator excitation wave (driving part) can be traveling wave (TW) or standing wave (SW) or hybrid. The difference between

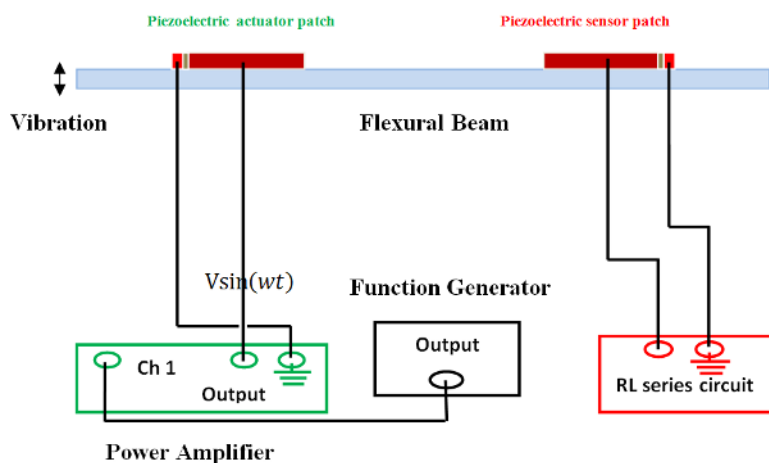
these waves is related to their ability of energy transfer. TW can convey energy through a distance of matter, while in SW the energy stays linked to a given position. The movement of the mobile relative to the drive stator may be rotary or linear^[6]. In the following sections of this contribution, we will focus on structures whose functioning is based on TW PRUM. However, other types of PRUM like SW and L1B2, exhibit very interesting performances^[19-21].

5. Traveling wave piezoelectric resonant beam robots

The linear TW PRUM motor mentioned in the last section originates the idea of TW piezoelectric resonant beam robots (PRBR). In this case, the completely robotic system progress itself instead of progressing the slider in the case of PRUM. Motion can be generated using single or dual mode excitation. Indeed, pure traveling waves can exist on lengthy configurations. On the other hand, in finite structures such as beams, the vibration wave is partway returned when it hits the borders. The mentioned excitation modes permit avoiding such wave reflection.

5.1. Excitation modes in finite beam structures

TW excitation in finite structures in general can be achieved as mentioned before in one or two-mode. In the one-mode excitation, a piezoelectric transducer driven at resonance frequency is placed at one end of a beam, creating beam vibration (actuator action-electric source) generating a TW, while another transducer placed at the other end of the beam to avoid the wave reflection (sensor action-electric load). This permits the conversion of vibrations into heat and can be done using a passive RL electric circuit or an active control technique permitting the regulation of the vibration of the TW down the beam. In the two-mode excitation, two piezoelectric transducers placed one at each end of the beam working as actuators creating beam vibration resulting in a TW. This is done using active control techniques permitting beam vibration resulting of applying at once by the two transducers, two close beam natural mode shapes at the same frequency (between two resonance frequencies) but 90° phased. **Figure 1** illustrates these two excitation types.



(a) One mode excitation.

Figure 1. (Continued).

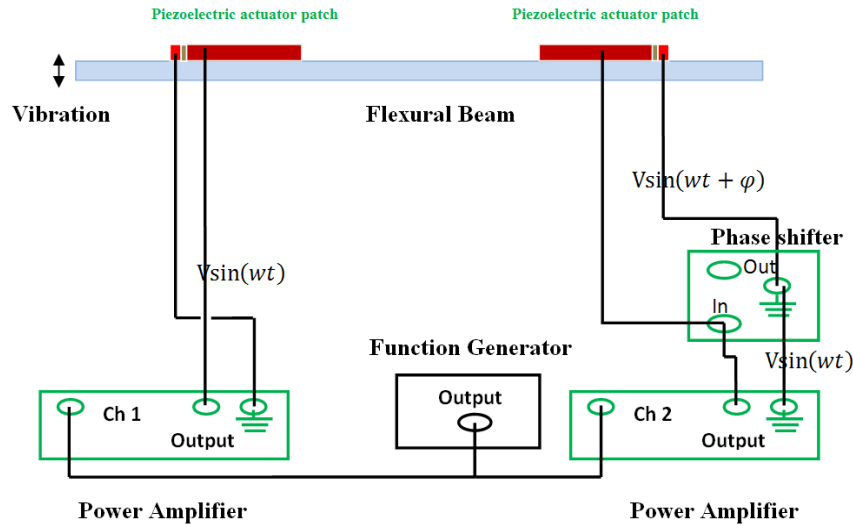


Figure 1. Schematics of one and two mode excitations in the case of PRBR^[4].

Note that the inverse TW direction and hence motion direction can be obtained by the inversion of the two transducers roles in the one-mode excitation and changing phase difference between the signals of the two transducers from 90° to -90° in the two-mode case. In addition, the transducers positions, the source frequency as well as circuit and control parameters permit to supervise the character of the TW and therefore the motion^[4,22].

Comparisons of the performances of one and two-mode excitations will be considered in section 8 through realized examples.

5.2. Examples of TW PRBR

Various applications concerning TW PRBR as well as PRUM can be found in literature, we will give some examples of them. In the case of linear PRUM, see for one-mode excitation^[47] and for two-mode excitation^[48]. In the case of TW on finite beam structures in general^[49]. Specific applications for TW on finite beams, see, e.g., the cases of a TW PRBR^[4,22] and of a linear liquid micro pump working in one-mode excitation (two transducers: vibrator-absorber) or two-mode excitation (transducers: vibrator-vibrator)^[3,50,51]. **Figures 2 and 3** show the principles of such beam robot and micro pump.

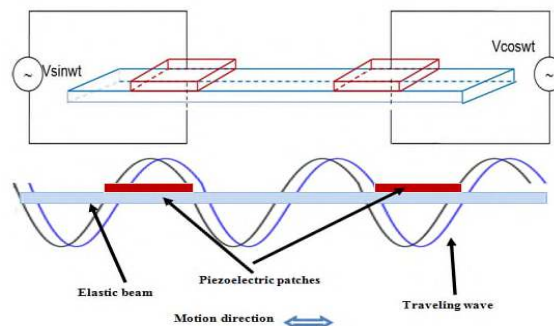


Figure 2. Schematic representation of the principle of a TW PRBR with two-mode excitation^[4].

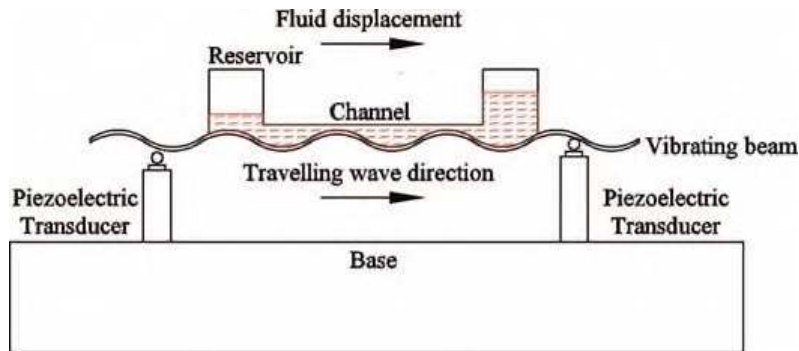


Figure 3. Schematic representation of the principle of a micro pump of π -like structure of a linear actuator^[3].

6. TW on thin structures

A mechanical wave can be generated in a material by an oscillating source in interrelation with this material. This wave will propagate through matter carrying energy from one position to another. The ability to create and control wave motion through finite matter can be achieved by actuation mechanisms. The choice of thin structures as a support for the propagation of mechanical waves makes it possible to obtain one-dimensional progressive waves in beams actuated at their ends. Similarly, two-dimensional traveling waves can be initiated in plates with actuators placed at different points of the plate chosen according to the desired propagation. These actuators generate controlled oscillations corresponding to their specific excitations, which determine the different characteristics of the resulting traveling waves. The organization of the actuators may or may not be symmetrical depending respectively on whether or not they are collocated on the thin structure. In the symmetric case, the actuators are positioned face to face on both sides of the structure (collocated) while in the asymmetrical situation, the actuators are only on one side (non-collocated); **Figure 4** illustrates such non-collocated actuators for beam and plate cases. The use of thin beams or plates permits easy actuation by patches fixed on the structure. Miniaturization in such configuration becomes attainable.

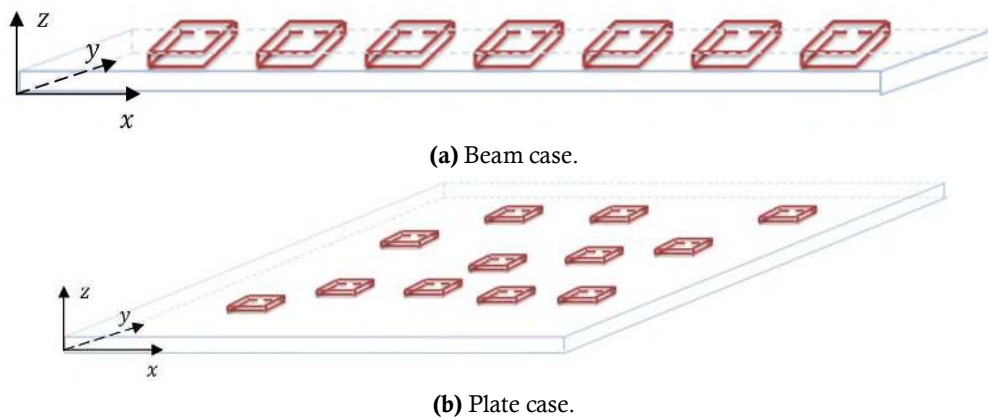


Figure 4. Non-collocated piezoelectric patches bonded on a beam or a plate.

6.1. Actuation and driving of piezoelectric patches in miniature robots

Piezoelectric materials are used in various forms, in miniature robots for actuation due to their aptitudes to engender large forces under conforming driving voltages^[52–62]. These materials are distinguished by a high specific power particularly suitable for miniaturized robots^[63]. Moreover, the characteristic drawback linked to the control of piezoelectric materials by a high voltage, via an on-board source in the case of miniature robots, is no longer challenging. Indeed, many works have been

carried out to surmount this difficulty^[64–69]. Therefore, it is likely to incorporate compact on-board electronics to drive miniature piezoelectric robots, thereby increasing their packaging energy density^[70].

6.2. Applications of thin structures including piezoelectric materials

Thin structures enclosing piezoelectric matters are broadly exploited for vibrations supervision^[71–75], for structure damage and fatigue (e.g., health indicator for gear degradation monitoring) revealing^[76–83], for designing and building actuators regarding inchworm motion, micro pumps, motors, etc.^[84–88], for sensors design and for harvesting of energy^[89–95]. Miniature robots using piezoelectric patches bonded on thin structures (PPBTS) are used in many applications involving beam and plate structures as will be discussed in following sections.

6.3. Thin structures piezoelectric beam robot

Thin structure piezoelectric robots are mainly miniature robots using PPBTS. An important category of these concerns beam robots, which permits linear motion due to actions of two piezoelectric patches bonded generally on the two beam extremities. As described in section 5.1, such actions can be of actuator-sensor mode type or actuator-actuator one.

As mentioned before, the piezoelectric matters fixed on the beam extremities, as, e.g., PPBTS, can be collocated or not (see **Figure 4**). The behaviors of such systems can be analyzed by analytical or numerical modeling^[96]. In the case of collocated matters (symmetric on both beam sides)^[72,97–102], while for the case of non-collocated matters (asymmetric on one side)^[71,98,103–105]. Note that the analysis could be done using 2D discretized surface elements (using, e.g., finite elements method—FEM). A considerable reduction in the complexity and the computation time can be achieved by using 1D linear elements while considering the second dimension in the solved equation. This is possible through the consideration of a neutral axis. Such axis is confused with the symmetry axis corresponding to the mid plane of the system in the case of collocated patches. Such neutral-symmetry confusion in collocated patches structure case does not exist in the case of non-collocated patches case; see section 8 for details. Thus, in the last case, the neutral axis should be determined^[96].

6.4. Miniature piezoelectric plate robot

These miniature plate robots use PPBTS and permit motions in different orientation depending on actions and positions of different piezoelectric patches bonded on specific locations of the plate. As in the case of beams the piezoelectric matters can be collocated or not (see **Figure 4**). The conducts of such structures can be analyzed by numerical modeling. Similarly, to the treatment considered in the last section for beams, the modeling of plates could be achieved using 3D discretized volume elements (FEM). A great diminution in the computation time can be attained by using 2D surface elements whereas counting the third dimension in the modeled equation. As for beams case, this is feasible using a neutral plane. Such plane is confounded with the symmetry mid plane of the system in the case of collocated patches^[72,97,98,106–108]. Such neutral-symmetry confusion in collocated patches plate structures is inexistent in the case of non-collocated patches case and the neutral plane, as the case of neutral axis, should be determined^[96], see section 8. Note that, in some particular geometrically simple structures, analytical solutions can be used. However, in complex plate structures, we have to exercise discretized FEM solution. **Figure 5** shows the meshed domains corresponding to some examples of complex plate structures. The small colored rectangles represent different patches bonded on circular or rectangular thin structures with or without holes.

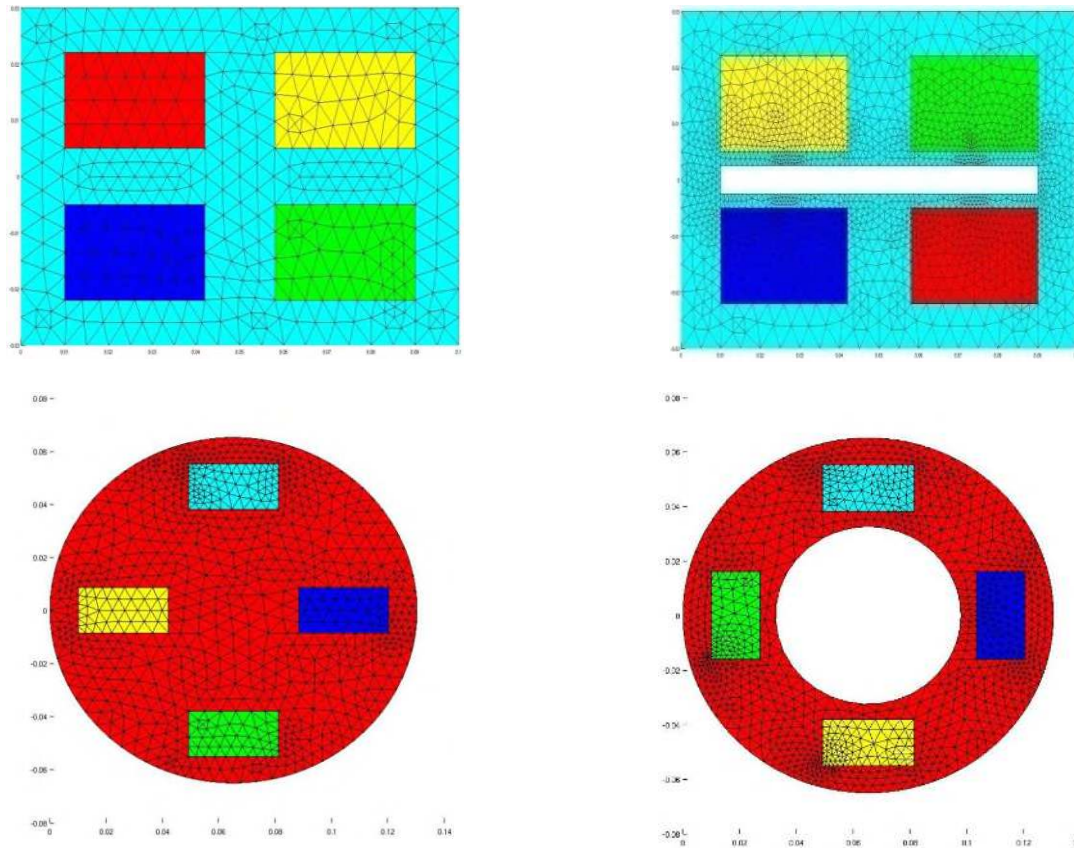


Figure 5. FEM meshing in different complex structures of non-collocated piezoelectric patches bonded on thin structures^[4].

7. Locomotion and positioning

7.1. Locomotion

We have seen in section 2 that amplified actuation is indispensable for robotic purposes through locomotion obtained by such amplification. Most of encountered locomotion types are relative to motion on solid substrates and in fluids.

In the case of locomotion on solid ground, different forces are involved. These are relative to gravity, normal reaction, friction and active motion generation. Such locomotion is of different styles. The most popular are wheeling^[109,110], walking^[111–114], inchworm^[84,115,116], inertial^[117–120] and resonant^[97–108].

In the case locomotion in fluids, we will consider liquid and air mediums^[9,121]. In this type of locomotion, the movement is fully inspired from biological locomotion. In the liquid instance, movement can be inside or at the surface of the liquid. Different works have been published for movement on water surface, underwater and air^[23,24,122–127].

7.2. Positioning

The requirement for accuracy positioning requests has immensely motivated the exploration and advancement towards the development of actuators owning high precision. Several mentioned actuations in the last sections, match such specification^[5,14,16,17,35–37,42]. As well, different works are available for positioning needs^[128–131].

8. Discussion

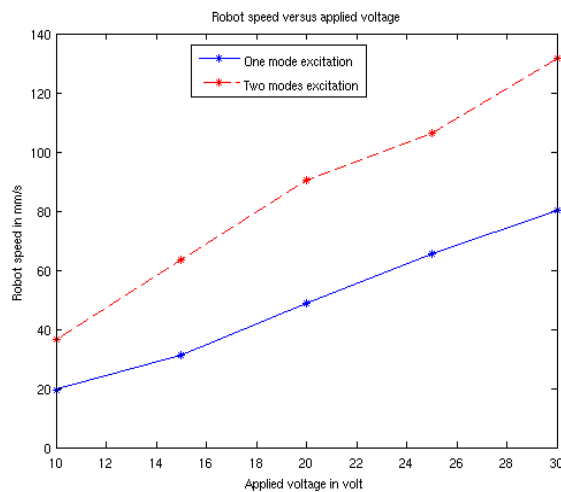
In this work, the practiced investigation and review of the role of miniature robots, using resonant

and non-resonant piezoelectric actuations, in locomotion and positioning have shown that such a topic is fully valuable. At this point, different questions are worth commenting on:

- Functioning of PRUM following to section 4: In PRUM, the driving force comes from the inverse piezoelectric effect. In such a case, this effect transforms a harmonic electrical signal into a cyclic deformation of matter. This force behaves linearly in conjunction with the specific length scale, actually allowing the production of useful amounts of work from small-scale motors. This is all the more factual since the motor is intended to operate close to the mechanical resonance of the stator. Moreover, PRUM has other advantages including high torques, straight drive, no coping mechanism, fast response, moderate voltage, not affected by electromagnetic noise, and simple in structure.

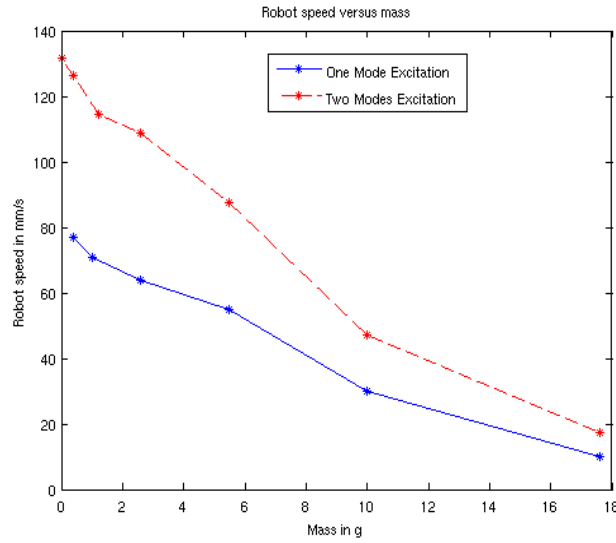
- Performances of one and two-mode excitations: The one and two-mode excitations described in section 5 behave with different performances depending on application. An example of beam robot of 2 PZT patches of $32 \times 17 \times 0.27$ mm placed on an elastic substrate of $180 \times 17 \times 0.5$ mm. Patches are positioned at $X = 24$ mm from each end. Measurements have been realized for the robot speed, with different applied voltages and embedded masses, on a smooth glass flat surface for the one-mode and two-mode excitations^[4]. **Figure 6a,b** shows respectively, the speed function of the applied voltage and the mass. One remark that the curves of the two-mode excitation are always higher than the one-mode. This effect increases with the applied voltage increase and decrease with mass increase.

- Miniaturization through PPBTS and compact on-board driving electronics: As discussed in the above sections, the use of piezoelectric actuation permits high specific power. In addition, it is possible to incorporate compact on-board driving electronics using specific technologies. Due to these features, which are particularly suitable for miniaturized robots, the use of PPBTS embedding compact driving control seems an adequate solution offering high packaging energy density. The corresponding self-running piezoelectric robot compared to the case of slider derived by a stator, seems simpler in structure and lesser in manufacture cost. In addition, such structure permits high load ratio and speed as well as easier abilities of evolution in different mediums. Moreover, besides the capacity of self-running robots to move solid loads^[23,24], its structure permits to move liquids, e.g. in micro pumping devices^[50,51]. The use of this last application permits high precision delivery time and quantity of liquid in medical applications.



(a)

Figure 6. (Continued).



(b)

Figure 6. Robot speed versus (a) applied voltage; and (b) embedded mass, one mode and two modes excitation^[4].

- Neutral locations notion in thin structures with bonded patches: In section 6, the notions of neutral, axes in beams and surfaces in plates, have been mentioned. These neutral axes or surfaces are confused with respectively median geometric axes or surfaces in case of beams and plates with symmetrical sections. Such symmetry in the case of bonded patches on thin structure beams and plates is present only in case of collocated patches (in correspondence on both sides). In the case of non-collocated patches, the confusion of neutral with median references is lost.

Indeed, in mechanics, the neutral axis or surface is a fictitious reference within a structure of beam or plate. Once a bending force weighs on the structure that tends to bend, causing the inner surface (under the force) to be in compression while the outer surface is in tension. **Figure 7** illustrates the well known representation of a thin elastic beam or plate under force action illustrating neutral axis (or plane), compression stress zone and tensile stress zone. The neutral axis or surface is the location within the structure between these regions, where the substance of the beam or plate is not stressed by compression or tension. When the section of the structure is constant with homogeneous matter, the neutral site is confused with the median site. In fact, this is the situation of the beam or plate shown in **Figure 7**. Otherwise, with inhomogeneous material in the section of the structure, the two neutral and median locations will be distinct depending on the matter properties of the section of the structure. The identification in this case of the neutral location will be necessary as indicated in the following point.

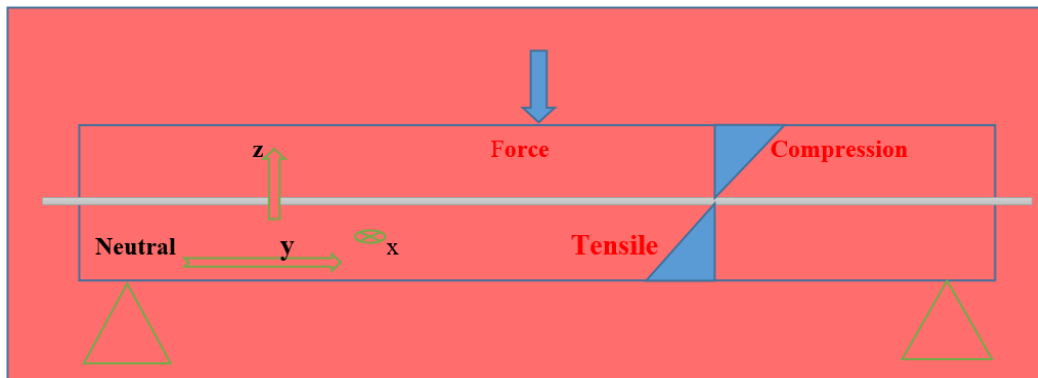


Figure 7. Schematic representation of cross-section of a thin elastic beam or plate under force action illustrating neutral axis (or plane).

- Modeling of piezoelectric robots involving patches bonded on thin structures: As mentioned in section 6, an efficient determination of the behavior of thin structures with bonded piezoelectric patches can be attained through numerical modeling by techniques as finite element methods FEM. The precision of such models is related to their capacity to account for local conduct in material due to their discretized nature. The beam structure case corresponds to 2D analysis involving the axial wave propagation direction “ x ” and its perpendicular direction on the surface and in-depth “ z ” of the beam (see **Figure 7**), in this case, the discretized elements are surface ones. Such a model can be reduced to 1D by incorporating the second dimension “ z ” in the solved equation and the used elements will be linear segment ones. Similarly, in the case of plate structures, the natural 3D (surface x, y and in depth z) can be reduced to 2D by considering the “ z ” component in the equation. These reductions, to 1D in beams and to 2D in plates simplifies considerably computations. However, these reductions implies the identification of neutral references: axis for beams and plane for plates, which is trivial in the case of collocated patches because these references are confounded with median geometrical ones. Conversely, in case of non-collocated patches, these references deviate from the median ones and their locations should be mathematically calculated^[96].

The two reductions to 1D for beams and 2D for plates have been validated in case of the beam described before and corresponding to **Figure 6**, and to a plate^[4]. The dimensions of this plate in mm are given by: 2 PZT patches of $32 \times 17 \times 0.27$ placed in x -axis direction on an elastic substrate of $100 \times 60 \times 0.5$. The patches positions correspond to $x = 10$ for each patch from the two plate X -axis ends and $y = 21.5$ for patches from each of y -axis ends. **Figure 8** shows z -displacement along **Figure 8a** the length and **Figure 8b** the width of the plate at the first resonance frequency obtained from measurements and with 2D FEM.

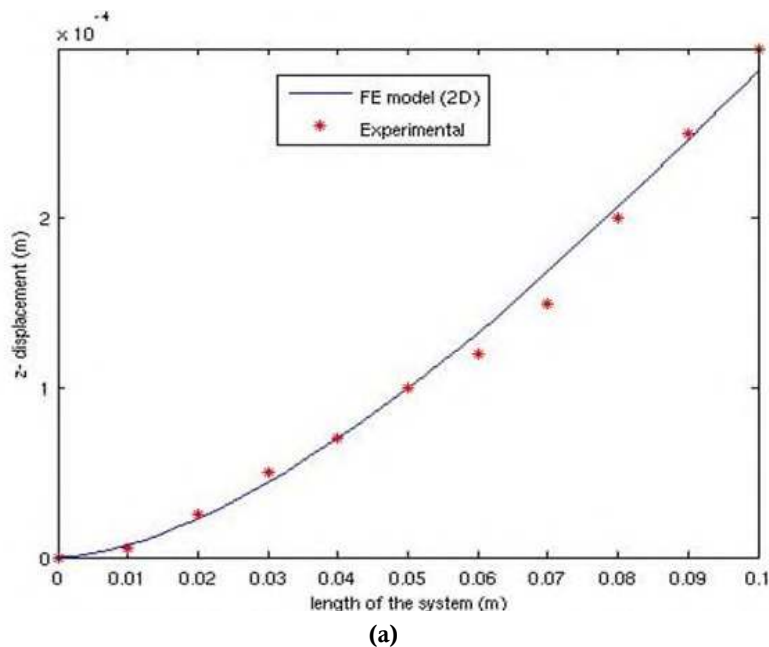


Figure 8. (Continued).

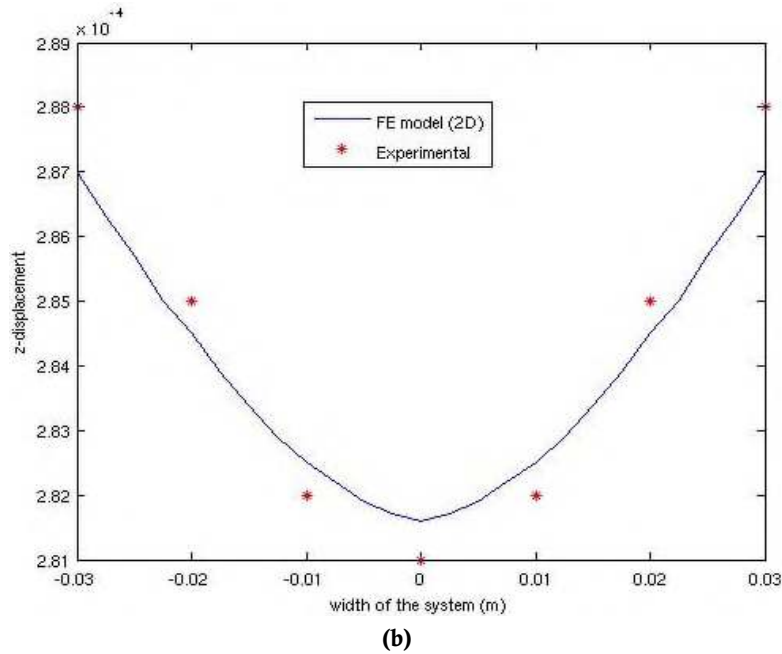


Figure 8. Experimental and FEM 2D results of the z-displacement along the length (a) and the width (b) of the plate at the first resonance frequency^[4].

The results obtained in **Figure 8** indicate that the reduction of computation dimension through the notion of neutral location is efficient and give accurate results.

9. Conclusion

In this contribution, the evaluation of piezoelectric actuators concerning the performance of miniature robots in general, and focusing on systems using traveling waves on beams and plates of thin structures has been carried out. Examination of the various questions addressed in this review has shown that there is a continuous evolution in this field. The questions of interest raised by this subject are diverse, the most important of which are:

Applications requiring high specific power particularly suitable for miniaturized robots, different miniaturization characteristics, traveling wave characteristics on thin structures, positioning of piezoelectric patches bonded on beams and plates, precise discretized numerical methods with the lowest calculation time, performance of miniature beam and plate robots and their wide application in various fields.

These questions relate to different industries, health sectors, security communities, etc., and of course researchers in different fields. Recommendations for future work could be applications of miniature beam and plate piezoelectric robots in damage and fatigue control in hard-to-reach areas.

Funding

This research received no external funding.

Conflicts of interest

The author declares no conflict of interest.

References

1. Gu GY, Li CX, Zhu LM, Su CY. Modeling and identification of piezoelectric-actuated stages cascading hysteresis nonlinearity with linear dynamics. *IEEE/ASME Transactions on Mechatronics* 2016; 21(3): 1792–1797. doi: 10.1109/TMECH.2015.2465868
2. Domenjoud M. *Characterization of the Electro-acoustic Properties of Piezoelectric Structures Subjected to a Static Stress of Electrical or Mechanical Type* (French) [PhD thesis]. University of Tours (François-Rabelais); 2012.
3. Hernandez C. *Realization of Piezoelectric Micro Pumps* (French) [PhD thesis]. University of Paris XI; 2010.
4. Hariri H. *Design and Realization of a Piezoelectric Mobile for Cooperative Use* [PhD thesis]. University of Paris XI; 2012.
5. Dong R, Tan Y, Xie Y. Identification of micropositioning stage with piezoelectric actuators. *Mechanical Systems and Signal Processing* 2016; 75: 618–630. doi: 10.1016/j.ymsp.2015.12.032
6. Tian X, Liu Y, Deng J, et al. A review on piezoelectric ultrasonic motors for the past decade: Classification, operating principle, performance, and future work perspectives. *Sensors and Actuators A: Physical* 2020; 306: 111971. doi: 10.1016/j.sna.2020.111971
7. Liu Y, Xu D, Chen W, et al. Design and experimental evaluation of a stepper piezoelectric actuator using bending transducers. *IEEE Access* 2018; 6: 50518–50525. doi: 10.1109/ACCESS.2018.2868842
8. Wang S, Rong W, Wang L, et al. A survey of piezoelectric actuators with long working stroke in recent years: Classifications, principles, connections and distinctions. *Mechanical Systems and Signal Processing* 2019; 123: 591–605. doi: 10.1016/j.ymsp.2019.01.033
9. Hariri H, Bernard Y, Razek A. Locomotion principles for piezoelectric miniature robots. In: Proceedings on ACTUATOR 10; 14 June 2010; Bremen, Germany. pp. 1015–1020.
10. Park S, He S. Standing wave brass-PZT square tubular ultrasonic motor. *Ultrasonics* 2012; 52(7): 880–889. doi: 10.1016/j.ultras.2012.02.010
11. Liu Y, Chen W, Liu J, Yang X. A high-power linear ultrasonic motor using bending vibration transducer. *IEEE Transactions on Industrial Electronics* 2013; 60(11): 5160–5166. doi: 10.1109/TIE.2012.2233691
12. Mazeika D, Kulvietis G, Tumasoniene I, Bansevicius R. New cylindrical piezoelectric actuator based on traveling wave. *Mechanical Systems and Signal Processing* 2013; 36(1): 127–135. doi: 10.1016/j.ymsp.2011.11.004
13. Zhao Y, Yuan S, Chu X, et al. Ultrasonic micro-motor with multilayer piezoelectric ceramic and chamfered driving tips. *Review of Scientific Instruments* 2016; 87(9): 095108. doi: 10.1063/1.4963662
14. Zhu C, Chu X, Yuan S, et al. Development of an ultrasonic linear motor with ultra-positioning capability and four driving feet. *Ultrasonics* 2016; 72: 66–72. doi: 10.1016/j.ultras.2016.07.010
15. Chen J, Zhang C, Xu M, et al. Rhombic micro-displacement amplifier for piezoelectric actuator and its linear and hybrid model. *Mechanical Systems and Signal Processing* 2015; 50: 580–593. doi: 10.1016/j.ymsp.2014.05.047
16. Gu GY, Zhu LM, Su CY, et al. Modeling and control of piezo-actuated nanopositioning stages: A survey. *IEEE Transactions on Automation Science and Engineering* 2016; 13(1): 313–332. doi: 10.1109/TASE.2014.2352364
17. Gu GY, Zhu LM, Su CY, et al. Proxy-based sliding-mode tracking control of piezoelectric-actuated nanopositioning stages. *IEEE/ASME Transactions on Mechatronics* 2015; 20(4): 1956–1965. doi: 10.1109/TMECH.2014.2360416
18. He S, Chiarot PR, Park S. A single vibration mode tubular piezoelectric ultrasonic motor. *IEEE Transactions on Ultrasonics, Ferroelectrics, and Frequency Control* 2011; 58(5): 1049–1061. doi: 10.1109/TUFFC.2011.1905
19. Delibas B, Koc B. L1B2 piezo motor using D33 effect. In: Proceedings of the ACTUATOR 2018, 16th International Conference on New Actuators; 25–27 June 2018; Bremen, Germany. pp. 1–4.
20. Izuhara S, Mashimo T. Design and characterization of a thin linear ultrasonic motor for miniature focus systems. *Sensors and Actuators A: Physical* 2021; 329: 112797. doi: 10.1016/j.sna.2021.112797
21. Vyshnevskyy O, Kovalev S, Wischnewskiy W. A novel, single-mode piezoceramic plate actuator for ultrasonic linear motors. *IEEE Transactions on Ultrasonics, Ferroelectrics, and Frequency Control* 2005; 52(11): 2047–2053. doi: 10.1109/tuffc.2005.1561674
22. Hariri H, Bernard Y, Razek A. A traveling wave piezoelectric beam robot. *Smart Materials and Structures* 2014; 23(2): 025013. doi: 10.1088/0964-1726/23/2/025013
23. Hariri H, Bernard Y, Razek A. Dual piezoelectric beam robot: The effect of piezoelectric patches positions. *Journal of Intelligent Material Systems and Structures* 2015; 26(18): 2577–2590. doi: 10.1177/1045389X15572013
24. Hariri H, Bernard Y, Razek A. 2-D traveling wave driven piezoelectric plate robot for planar motion. *IEEE/ASME Transactions on Mechatronics* 2018; 23(1): 242–251. doi: 10.1109/TMECH.2018.2791508
25. Hariri HH, Prasetya LA, Foong S, et al. A tether-less Legged Piezoelectric Miniature Robot using bounding gait locomotion for bidirectional motion. In: Proceedings of the 2016 IEEE International Conference on

- Robotics and Automation (ICRA); 16–21 May 2016; Stockholm, Sweden. pp. 4743–4749. doi: 10.1109/ICRA.2016.7487676
26. Li H, Liu J, Li K, Liu Y. A review of recent studies on piezoelectric pumps and their applications. *Mechanical Systems and Signal Processing* 2021; 151: 107393. doi: 10.1016/j.ymssp.2020.107393
 27. Kaufmann P, Röhrig S, Supancic P, Deluca M. Influence of ferroelectric domain texture on the performance of multilayer piezoelectric actuators. *Journal of the European Ceramic Society* 2017; 37(5): 2039–2046. doi: 10.1016/j.jeurceramsoc.2016.12.029
 28. Esteves G, Fancher CM, Röhrig S, et al. Electric-field-induced structural changes in multi-layer piezoelectric actuators during electrical and mechanical loading. *Acta Materialia* 2017; 132: 96–105. doi: 10.1016/j.actamat.2017.04.014
 29. Li J, Zhao H, Qu X, et al. Development of a compact 2-DOF precision piezoelectric positioning platform based on inchworm principle. *Sensors and Actuators A: Physical* 2015; 222: 87–95. doi: 10.1016/j.sna.2014.12.001
 30. Oh CH, Choi JH, Nam HJ, et al. Ultra-compact, zero-power magnetic latching piezoelectric inchworm motor with integrated position sensor. *Sensors and Actuators A: Physical* 2010; 158(2): 306–312. doi: 10.1016/j.sna.2010.01.022
 31. Cheng L, Liu W, Yang C, et al. A neural-network-based controller for piezoelectric-actuated stick-slip devices. *IEEE Transactions on Industrial Electronics* 2018; 65(3): 2598–2607. doi: 10.1109/TIE.2017.2740826
 32. Neuman J, Nováček Z, Pavera M, et al. Experimental optimization of power-function-shaped drive pulse for stick-slip piezo actuators. *Precision Engineering* 2015; 42: 187–194. doi: 10.1016/j.precisioneng.2015.04.016
 33. Cheng G, Hu V, Wen J, et al. Piezoelectric inertial rotary actuators based on asymmetrically clamping structures. *Sensors and Actuators A: Physical* 2015; 223: 125–133. doi: 10.1016/j.sna.2015.01.007
 34. Furutani K, Kawagoe K. Influence of slope angle and traction load on performance of AZARASHI (Seal) mechanism with one degree of freedom. *IEEJ Transactions on Electrical and Electronic Engineering* 2010; 5(2): 181–187. doi: 10.1002/tee.20515
 35. Furutani K, Makino T. Application of AZARASHI (seal) positioning mechanism to micromanipulation by vacuum suction. In: Proceedings of the 2009 International Symposium on Optomechatronic Technologies; 21–23 September 2009; Istanbul, Turkey. pp. 65–70.
 36. Furutani K, Isono H. Performance of AZARASHI (Seal) positioning mechanism with friction control by inertial force. *Journal of the Japan Society for Precision Engineering* 2010; 76(6): 679–683. doi: 10.2493/jjspe.76.679
 37. Ho ST, Jan SJ. A piezoelectric motor for precision positioning applications. *Precision Engineering* 2016; 43: 285–293. doi: 10.1016/j.precisioneng.2015.08.007
 38. Zhang Y, Zhang WJ, Hesselbach J, Kerle H. Development of a two-degree-of-freedom piezoelectric rotary-linear actuator with high driving force and unlimited linear movement. *Review of Scientific Instruments* 2006; 77: 465–481. doi: 10.1063/1.2185500
 39. Bardin VA, Vasil'Ev VA. Combining measurement and control functions in the structure of a multilayer piezoelectric actuator of nano- and micro-motions. *Measurement Techniques* 2017; 60: 711–716. doi: 10.1007/s11018-017-1259-3
 40. Ko BH, Jeong S, Kim D, et al. Identification of the electromechanical material properties of a multilayer ceramic capacitor. *International Journal of Applied Ceramic Technology* 2017; 14(3): 424–432. doi: 10.1111/ijac.12649
 41. Ham YB, Seo WS, Cho WY, et al. Development of a piezoelectric pump using hinge-lever amplification mechanism. *Journal of Electroceramics* 2009; 23: 346–350. doi: 10.1007/s10832-008-9461-y
 42. Lee JW, Li YC, Chen KS, Liu YH. Design and control of a cascaded piezoelectric actuated two-degrees-of-freedom positioning compliant stage. *Precision Engineering* 2016; 45: 374–386. doi: 10.1016/j.precisioneng.2016.03.015
 43. Chen W, Zhang X, Li H, et al. Nonlinear analysis and optimal design of a novel piezoelectric-driven compliant microgripper. *Mechanism and Machine Theory* 2017; 118: 32–52. doi: 10.1016/j.mechmachtheory.2017.07.011
 44. Na TW, Choi JH, Jung JY, et al. Compact piezoelectric tripod manipulator based on a reverse bridge-type amplification mechanism. *Smart Materials and Structures* 2016; 25(9): 095028. doi: 10.1088/0964-1726/25/9/095028
 45. Tian Y, Shirinzadeh B, Zhang D, Alici G. Development and dynamic modelling of a flexure-based Scott-Russell mechanism for nano-manipulation. *Mechanical Systems and Signal Processing* 2009; 23(3): 957–978. doi: 10.1016/j.ymssp.2008.06.007
 46. Beckers G, Dehez B. Modelling of electric field and stress in piezoelectric composite plates under bending load. In: Proceedings of the 2014 Joint IEEE International Symposium on the Applications of Ferroelectric,

- International Workshop on Acoustic Transduction Materials and Devices & Workshop on Piezoresponse Force Microscopy; 12–16 May 2014; State College, PA, USA. pp. 1–4.
47. Kuribayashi M, Ueha S, Mori E. Excitation conditions of flexural traveling waves for a reversible ultrasonic linear motor. *The Journal of the Acoustical Society of America* 1985; 77(4): 1431–1435. doi: 10.1121/1.392037
 48. Loh BG, Ro PI. An object transport system using flexural ultrasonic progressive waves generated by two-mode excitation. *IEEE Transactions on Ultrasonics, Ferroelectrics, and Frequency Control* 2000; 47(4): 994–999. doi: 10.1109/58.852083
 49. Dehez B, Vloebergh C, Labrique F. Study and optimization of traveling wave generation in finite-length beams. *Mathematics and Computers in Simulation* 2010; 81(2): 290–301. doi: 10.1016/j.matcom.2010.05.013
 50. Hernandez-Rodriguez C, Bernard Y, Razek A. Ultrasonic Traveling Wave Micropump for Liquid. U.S. Patent Application No. US-2013-02423627, 19 September 2013.
 51. Hernandez C, Bernard Y, Razek A. Design and manufacturing of a piezoelectric traveling-wave pumping device. *IEEE Transactions on Ultrasonics, Ferroelectrics, and Frequency Control* 2013; 60(9): 1949–1956. doi: 10.1109/TUFFC.2013.2779
 52. Wang Y, Deng J, Li H, et al. A resonant-type thin plate piezoelectric actuator inspired by Koala's locomotion. *IEEE Transactions on Industrial Electronics* 2023; 70(8): 8235–8243. doi: 10.1109/TIE.2023.3237874
 53. Ebefors T, Stemme G. Microrobotics. In: Gad-el-hak M (editor). *The MEMS Handbook*. CRC Press; 2001. p. 1368
 54. Brufau-Penella J, Puig-Vidal M, López-Sánchez J, et al. MICRON: Small autonomous robot for cell manipulation applications. In: Proceedings of the 2005 IEEE International Conference on Robotics and Automation; 18–22 April 2005; Barcelona, Spain. pp. 844–849.
 55. Codourey A, Zesch W, Buchi R, Siegwart R. A robot system for automated handling in micro-world. In: Proceedings 1995 IEEE/RSJ International Conference on Intelligent Robots and Systems. Human Robot Interaction and Cooperative Robots; 5–9 August 1995; Pittsburgh, PA, USA. pp. 185–190.
 56. Torii A, Kato H, Ueda A. A miniature actuator with electromagnetic elements. *Electrical Engineering in Japan* 2001; 134(4): 70–75. doi: 10.1002/1520-6416(200103)134:4<70::AID-EEJ9>3.0.CO;2-Q
 57. Son KJ, Kartik V, Wickert JA, Sitti M. An ultrasonic standing-wave-actuated nano-positioning walking robot: Piezoelectric metal composite beam modeling. *Journal of Vibration and Control* 2006; 12(12): 1293–1309. doi: 10.1177/1077546306070619
 58. Aoshima SI, Tsujimura T, Yabuta T. Miniature mobile robot using piezo vibration for mobility in a thin tube. *Journal of Dynamic Systems, Measurement, and Control* 1993; 115(2A): 270–278. doi: 10.1115/1.2899031
 59. Heo S, Wiguna T, Park HC, Goo NS. Effect of an artificial caudal fin on the performance of a biomimetic fish robot propelled by piezoelectric actuators. *Journal of Bionic Engineering* 2007; 4: 151–158. doi: 10.1016/S1672-6529(07)60027-4
 60. Kosa G, Jakab P, Hata N, et al. Flagellar swimming for medical micro robots: Theory, experiments and application. In: Proceedings of the 2nd IEEE RAS & EMBS International Conference on Biomedical Robotics and Biomechatronics; 19–22 October 2008; Scottsdale, AZ, USA. pp. 258–263.
 61. Suhr SH, Song YS, Lee SJ, Sitti M. Biologically inspired miniature water strider robot. In: Proceedings of the Robotics: Science and Systems I; 8–11 June 2005; Cambridge, Massachusetts. pp. 319–326.
 62. Sitti M. PZT actuated four-bar mechanism with two flexible links for micromechanical flying insect thorax. In: Proceedings of 2001 ICRA. IEEE International Conference on Robotics and Automation (Cat. No.01CH37164); 21–26 May 2001; Seoul, Korea (South). pp. 3893–3900.
 63. Breguet JM, Johansson S, Driesen W, Simu U. A review on actuation principles for few cubic millimeter sized mobile micro robots. In: Proceedings of the 10th International Conference on New Actuators (Actuator 2006); 14–16 June 2006; Bremen, Germany. pp. 374–381.
 64. Yong YK, Fleming AJ. Piezoelectric actuators with integrated high voltage power electronics. *IEEE/ASME Transactions Mechatronics* 2014; 20(2): 611–617. doi: 10.1109/TMECH.2014.2311040
 65. Karpelson M, Wei GY, Wood RJ. Driving high voltage piezoelectric actuators in microrobotic applications. *Sensors and Actuators A: Physical* 2011; 176: 78–89. doi: 10.1016/j.sna.2011.11.035
 66. Fath A, Xia T, Li W. Recent advances in the application of piezoelectric materials in microrobotic systems. *Micromachines* 2022; 13(9): 1422. doi: 10.3390/mi13091422
 67. Liu Y, Li J, Deng J, et al. Arthropod-metamerism-inspired resonant piezoelectric millirobot. *Advanced Intelligent Systems* 2021; 3(8): 2100015. doi: 10.1002/aisy.202100015
 68. Robles-Cuenca D, Ramírez-Palma MR, Ruiz-Díez V, et al. Miniature autonomous robot based on legged in-plane piezoelectric resonators with onboard power and control. *Micromachines* 2022; 13(11): 1815. doi: 10.3390/mi13111815
 69. Wang W, Deng J, Liu Y, et al. Design, modeling and experiment of a miniature biped piezoelectric robot. *Smart Materials and Structures* 2022; 31(7): 075004. doi: 10.1088/1361-665X/ac6f9f

70. Lu H, Cui H, Lu G, et al. 3D printing and processing of miniaturized transducers with near-pristine piezoelectric ceramics for localized cavitation. *Nature Communications* 2023; 14: 2418. doi: 10.1038/s41467-023-37335-w
71. Hariri H, Bernard Y, Razek A. Finite element model of a beam structure with piezoelectric patches using RL shunt circuits. In: Proceedings of the AC2011, 14th International Conference on Active Systems for Dynamics Markets; 7–8 September 2011; Darmstadt, Germany. pp. 124–131.
72. Yasin MY, Ahmad N, Alam MN. Finite element analysis of actively controlled smart plate with patched actuators and sensors. *Latin American Journal of Solids and Structures* 2010; 7(3): 227–247. doi: 10.1590/S1679-78252010000300001
73. Wang T, Zhang X, Li K, Yang S. Mechanical performance analysis of a piezoelectric ceramic friction damper and research of its semi-active control strategy. *Structures* 2021; 33: 1510–1531. doi: 10.1016/j.istruc.2021.04.100
74. Cui M, Liu H, Jiang H, et al. Active vibration optimal control of piezoelectric cantilever beam with uncertainties. *Measurement and Control* 2022; 55(5–6): 359–369. doi: 10.1177/00202940221091244
75. Rodriguez-Fortun JM, Orus J, Alfonso J, et al. Flatness-based active vibration control for piezoelectric actuators. *IEEE/ASME Transactions on Mechatronics* 2013; 18(1): 221–229. doi: 10.1109/TMECH.2011.2166998
76. Qu GM, Li YY, Cheng L, Wang B. Vibration analysis of a piezoelectric composite plate with cracks. *Journal of Composite Structures* 2006; 72(1): 111–118. doi: 10.1016/j.compstruct.2004.11.001
77. Lematre M, Lethiecq M. Enhancement of guided wave detection and measurement in buried layers of multilayered structures using a new design of V(z) acoustic transducers. *Acoustics* 2022; 4(4): 996–1012. doi: 10.3390/acoustics4040061
78. Zhu J, Gao C, He L. Piezoelectric-based crack detection techniques of concrete structures: Experimental study. *Journal of Wuhan University of Technology—Materials Science Edition* 2012; 27(2): 346–352. doi: 10.1007/s11595-012-0464-9
79. Chomette B, Fernandes A, Sinou JJ. Cracks detection using active modal damping and piezoelectric components. *Shock and Vibration* 2013; 20: 126870. doi: 10.3233/SAV-130772
80. Feng K, Ji JC, Ni Q. A novel gear fatigue monitoring indicator and its application to remaining useful life prediction for spur gear in intelligent manufacturing systems. *International Journal of Fatigue* 2023; 168: 107459. doi: 10.1016/j.ijfatigue.2022.107459
81. Wong VK, Liu M, Goh WP, et al. Structural health monitoring of fastener hole using ring-design direct-write piezoelectric ultrasonic transducer. *Structural Health Monitoring* 2022; 21(6): 1144. doi: 10.1177/147592172111073950
82. Roy G, Panigrahi B, Pohit G. Crack identification in beam-type structural elements using a piezoelectric sensor. *Nondestructive Testing and Evaluation* 2021; 36(6): 597–615. doi: 10.1080/10589759.2020.1843652
83. Yu L, Momeni S, Godinez V, et al. Dual mode sensing with low-profile piezoelectric thin wafer sensors for steel bridge crack detection and diagnosis. *Advances in Civil Engineering* 2012; 2012: 402179. doi: 10.1155/2012/402179
84. Sunyoto, Bernard Y, Razek A. Design and realization of a linear piezoelectric actuator for orthopedic applications. *Journal of Advanced Science* 2006; 18(1–2): 162–165. doi: 10.2978/jsas.18.162
85. Hernandez C, Bernard Y, Razek A. A global assessment of piezoelectric actuated micro-pumps. *European Physical Journal Applied Physics* 2010; 51(2): 20101. doi: 10.1051/epjap/2010090
86. Dehez B. Improved constitutive equations of piezoelectric monomorphs: Application to the preliminary study of an original traveling-wave peristaltic pump. *Sensors and Actuator A: Physical* 2011; 169(1): 141–150. doi: 10.1016/j.sna.2011.04.013
87. Li H, Liu J, Li K, Liu Y. A review of recent studies on piezoelectric pumps and their applications. *Mechanical Systems and Signal Processing* 2021; 151: 107393. doi: 10.1016/j.ymsp.2020.107393
88. Chen HJ, Hsu YH, Lee CK. Rotary piezoelectric motor using a rectangular vibrator of four actuators. In: Proceedings of SPIE 12483, Active and Passive Smart Structures and Integrated Systems XVII, 124831L 2023; 28 April 2023; Long Beach, California, United States.
89. Tressler JF, Alkoy S, Newnham RE. Piezoelectric sensors and sensor materials. *Journal of Electroceramics* 1998; 2: 257–272. doi: 10.1023/A:1009926623551
90. Zimmermann T, Neuburger M, Benkart P, et al. Piezoelectric GaN sensor structures. *IEEE Electron Device Letters* 2006; 27(5): 309–312. doi: 10.1109/LED.2006.872918
91. Yamashita K, Hibino H, Nishioka T, et al. Vibration mode of MEMS ultrasonic sensors on buckled diaphragms with piezoelectric resonance frequency modification. In: Proceedings of 2019 IEEE SENSORS; 27–30 October 2019; Montreal, QC, Canada. doi: 10.1109/SENSORS43011.2019.8956622
92. Howells CA. Piezoelectric energy harvesting. *Energy Conversion and Management* 2009; 50(7): 1847–1850. doi: 10.1016/j.enconman.2009.02.020

93. Jiang WA, Chen LQ. Snap through piezoelectric energy harvesting. *Journal of Sound and Vibration* 2014; 333(18): 4314–4325. doi: 10.1016/j.jsv.2014.04.035
94. Zhu Q, Li Y, He Y, Guan M. Piezoelectric energy harvesting in automobiles. *Ferroelectrics* 2014; 467(1): 33–41. doi: 10.1080/00150193.2014.932165
95. Hobbs WB, Hu DL. Tree-inspired piezoelectric energy harvesting. *Journal of Fluids and Structures* 2012; 28: 103–114. doi: 10.1016/j.jfluidstructs.2011.08.005
96. Hariri H, Bernard Y, Razek A. A two dimensions modeling of non-located piezoelectric patches bonded on thin structure. *Curved and Layered Structures* 2014; 2(1): 15–27. doi: 10.1515/cls-2015-0002
97. de Abreu GLCM, Ribeiro JF, Steffen V. Finite element modeling of a plate with localized piezoelectric sensors and actuators. *Journal of the Brazilian Society of Mechanical Sciences & Engineering* 2004; 26(2): 117–128. doi: 10.1590/S1678-58782004000200002
98. Jalili N. *Piezoelectric-Based Vibration Control, from Macro to Micro-Nano Scale Systems*. Springer; 2009.
99. Lin CC, Huang HN. Vibration control of beam-plates with bonded piezoelectric sensors and actuators. *Journal of Computers and Structures* 1999; 73(1–5): 239–248. doi: 10.1016/S0045-7949(98)00280-6
100. Nguyen CH, Pietrzko SJ. FE analysis of a PZT-actuated adaptive beam with vibration damping using a parallel R-L shunt circuit. *Journal of Finite Elements in Analysis and Design* 2006; 42(14–15): 1231–1239. doi: 10.1016/j.finel.2006.06.003
101. Park CH. Dynamics modeling of beams with shunted piezoelectric elements. *Journal of Sound and Vibration* 2003; 268(1): 115–129. doi: 10.1016/S0022-460X(02)01491-8
102. Varadan VV, Lim YH, Varadan VK. Closed loop finite element modeling of active/passive damping in structural vibration control. *Journal of Smart Materials and Structures* 1996; 5: 685–694. doi: 10.1088/0964-1726/5/5/016
103. Chen JS, Chen SH, Wu KC. Analysis of asymmetric piezoelectric composite beam. *arXiv* 2008; arXiv:0802.3080. doi: 10.48550/arXiv.0802.3080
104. Kayacik O, Bruch JC, Sloss JM, et al. Integral equation approach for piezo patch vibration control of beams with various types of damping. *Journal of Computers and Structures* 2008; 86(3–5): 357–366. doi: 10.1016/j.compstruc.2007.01.033
105. Pons JL, Rodríguez H, Rocon E, et al. Practical consideration of shear strain correction factor and Rayleigh damping in models of piezoelectric transducers. *Journal of Sensors and Actuators A: Physical* 2004; 115(2–3): 202–208. doi: 10.1016/j.sna.2004.01.054
106. Corcolle R, Bouillault F, Bernard Y. Modeling of a plate with piezoelectric patches: Damping application. *IEEE Transactions on Magnetics* 2008; 44(6): 798–801. doi: 10.1109/TMAG.2007.916591
107. Liu GR, Peng XQ, Lam KY, Tani J. Vibration control simulation of laminated composite plates with integrated piezoelectric. *Journal of Sound and Vibration* 1999; 220(5): 827–846. doi: 10.1006/jsvi.1998.1970
108. Wang SY, Quek ST, Ang KK. Dynamic stability analysis of finite element modeling of piezoelectric composite plates. *International Journal of Solids and Structures* 2003; 41(3–4): 745–764. doi: 10.1016/j.ijsolstr.2003.09.041
109. Uchino K. Piezoelectric actuators 2006. Expansion from IT/Robotics to ecological/energy applications. *Journal of Electroceramics* 2008; 20: 301–311. doi: 10.1007/s10832-007-9196-1
110. Uchino K. *Ferroelectric Devices*. CRC Press; 2018. doi: 10.1201/b15852
111. Hernando-García J, García-Caraballo JL, Ruiz-Díez V, Sánchez-Rojas JL. Comparative study of traveling and standing wave-based locomotion of legged bidirectional miniature piezoelectric robots. *Micromachines* 2021; 12(2): 171. doi: 10.3390/mi12020171
112. Goldberg B, Zufferey R, Doshi N, et al. Power and control autonomy for high-speed locomotion with an insect-scale legged robot. *IEEE Robotics and Automation Letters* 2018; 3(2): 987–993. doi: 10.1109/LRA.2018.2793355
113. Zheng Z, Zhao Y, Wang G. Research on piezoelectric driving microminiature three-legged crawling robot. *Journal of Bionic Engineering* 2023; 20: 1481–1492. doi: 10.1007/s42235-023-00350-0
114. Dharmawan AG, Hariri HH, Foong S, et al. Steerable miniature legged robot driven by a single piezoelectric bending unimorph actuator. In: *Proceedings of the IEEE International Conference on Robotics and Automation (ICRA)*; 2017; Singapore. pp. 6008–6013.
115. Wood RJ. The first takeoff of a biologically inspired at-scale robotic insect. *IEEE Transactions on Robotics* 2008; 24(2): 341–347. doi: 10.1109/TRO.2008.916997
116. Yan S, Zhang F, Qin Z, Wen S. A 3-DOFs mobile robot driven by a piezoelectric actuator. *Smart Materials and Structures* 2005; 15(1): N7. doi: 10.1088/0964-1726/15/1/N02
117. Shao Y, Xu M, Shao S, Song S. Effective dynamical model for piezoelectric stick-slip actuators in bi-directional motion. *Mechanical Systems and Signal Processing* 2020; 145: 106964. doi: 10.1016/j.ymsp.2020.106964

118. Xu Z, Yang Z, Wang K, et al. A bionic inertial piezoelectric actuator with improved frequency bandwidth. *Mechanical Systems and Signal Processing* 2021; 156: 107620. doi: 10.1016/j.ymsp.2021.107620
119. Hunstig M. Piezoelectric inertia motors—A critical review of history, concepts, design, applications, and perspectives. *Actuators* 2017; 6(1): 7. doi: 10.3390/act6010007
120. Simu U, Johansson S. Analysis of static and dynamic motion mechanisms for piezoelectric miniature robots. *Journal of Sensors and Actuators* 2006; 132(2): 632–642. doi: 10.1016/j.sna.2006.02.023
121. Díaz-Molina A, Ruiz-Díez V, Hernando-García J, et al. Generation of linear traveling waves in piezoelectric plates in air and liquid. *Micromachines* 2019; 10(5): 283. doi: 10.3390/mi10050283
122. Zhao J, Mu G, Dong H, et al. Study of the velocity and direction of piezoelectric robot driven by traveling waves. *IEEE Transactions on Industrial Electronics* 2022; 70(9): 9260–9269. doi: 10.1109/TIE.2022.3210545
123. Jones L, Spahnie J, Lefave K, et al. Vehicle propulsion by solid state motion. In: Proceedings of the ASME 2014 Conference on Smart Materials, Adaptive Structures and Intelligent Systems; 8–10 September 2014; Newport, Rhode Island, USA. pp. 1–7.
124. Kosa G, Shoham M, Zaaroor M. Propulsion method for swimming microrobots. *IEEE Transactions on Robotics* 2007; 23(1): 137–150. doi: 10.1109/TRO.2006.889485
125. Zhou X, Liu Y, Sun J, et al. Development of an antihydrophobic miniature underwater robot with multilocomotion mode using piezoelectric pulsed-jet actuator. *IEEE Transactions on Industrial Electronics* 2023; 70(5): 5044–5054. doi: 10.1109/TIE.2022.3189088
126. Yan JH, Zhang XB, Zhao J, et al. A miniature surface tension-driven robot using spatially elliptical moving legs to mimic a water strider's locomotion. *Bioinspiration & Biomimetics* 2015; 10(4): 046016. doi: 10.1088/1748-3190/10/4/046016
127. Chen Y, Doshi N, Goldberg B, et al. Controllable water surface to underwater transition through electro wetting in a hybrid terrestrial-aquatic microrobot. *Nature Communications* 2018; 9(1): 2495. doi: 10.1038/s41467-018-04855-9
128. Zhang Z, Fan P, Dong Y, et al. A review of modeling and control of piezoelectric stick-slip actuators. Available online: <http://dx.doi.org/10.5772/intechopen.103838> (23 April 2022).
129. Wang Y, Xu Z, Huang H. A novel stick-slip piezoelectric rotary actuator designed by employing a centrosymmetric flexure hinge mechanism. *Smart Materials and Structures* 2020; 29(12): 125006. doi: 10.1088/1361-665X/abb98c
130. Chen C, Shi Y, Zhang J, Wang J. Novel linear piezoelectric motor for precision position stage. *Chinese Journal of Mechanical Engineering* 2016; 29(2): 378–385. doi: 10.3901/CJME.2015.1216.149
131. Li J, Huang H, Morita T. Stepping piezoelectric actuators with large working stroke for nano-positioning systems: A review. *Sensors and Actuators A: Physical* 2019; 292: 39–51. doi: 10.1016/j.sna.2019.04.006